



Installation Instructions

UltraFlo Commercial Series

www.goultraflo.com

Installation Instructions

UltraFlo Commercial Series

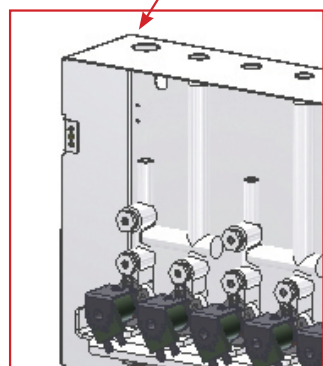
Please read instructions in their entirety prior to beginning any work with the UltraFlo System. Local plumbing codes and practices prevail for any items listed here that are not in compliance with your area.

Step 1.

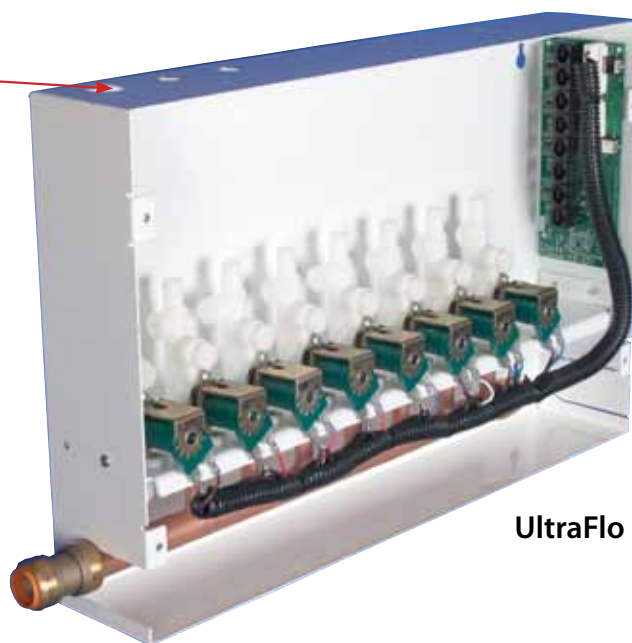
Mounting the UltraPack into or on wall

1. Prepare UltraPack for wall mounting (**Note** do not assemble the 1070 if included until step 1 is complete)
2. Open the correct knock outs on the top of UltraPack for each valve. Do not open any other knock outs if not needed

Knock-outs for Supply pipe to faucets



Detail



UltraFlo Streamlined Series

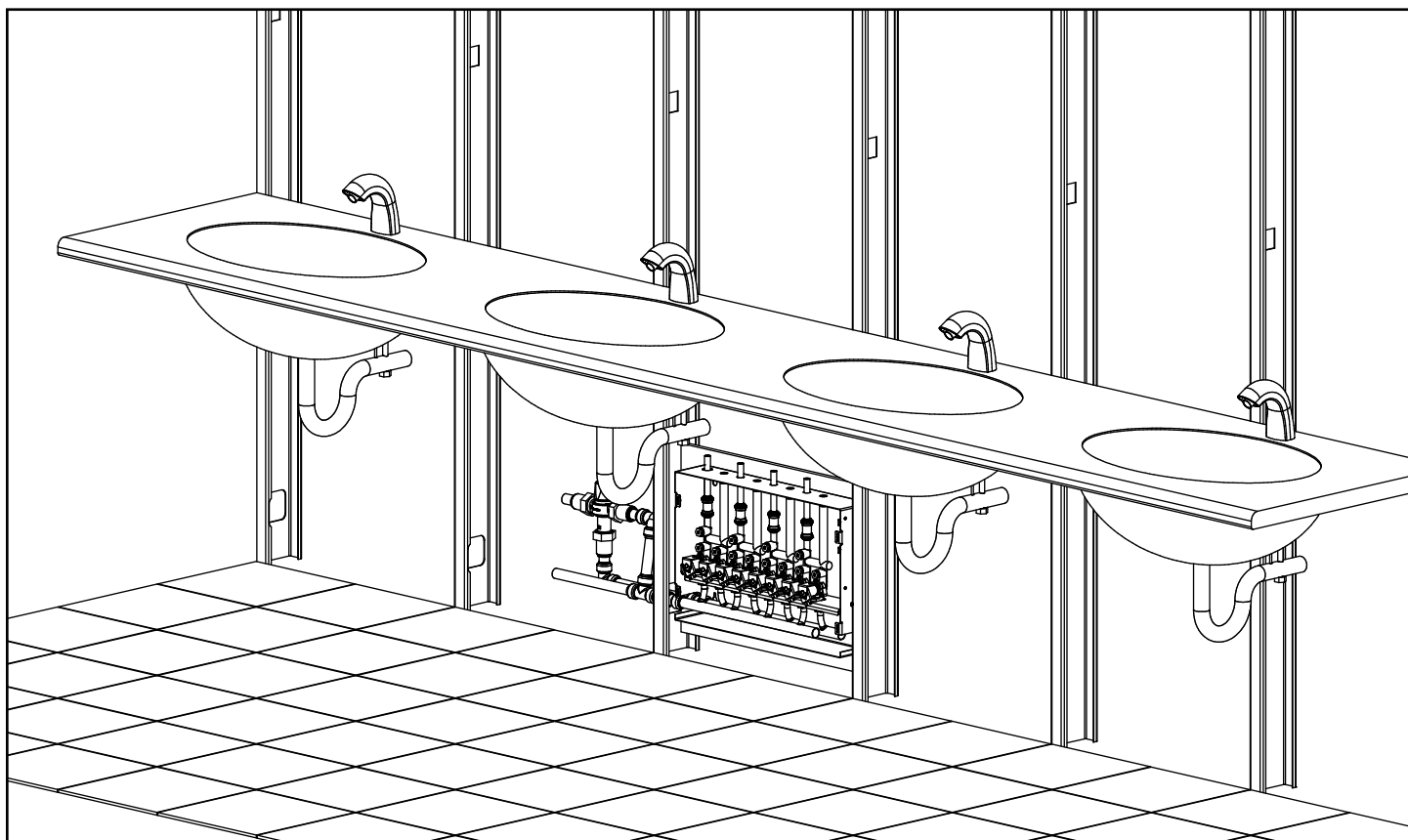
A. In the wall installation – if UltraPack is being mounted into a wall cavity.

(If not go to “wall mounted” step 2)

1. Ensure the in wall opening is either 14.5” or 22.5” depending on UltraPack series
2. Remove drywall flange
3. Measure and mark the desired location for the $\frac{3}{4}$ ” supply lines to penetrate the framing
4. Cut opening for both supply lines into framing
5. Insert UltraPack into wall cavity. The system can be mounted in any direction.

6. Secure all four side with mechanical fasteners ensuring opening for supply lines is lined up with opening cut in step 4

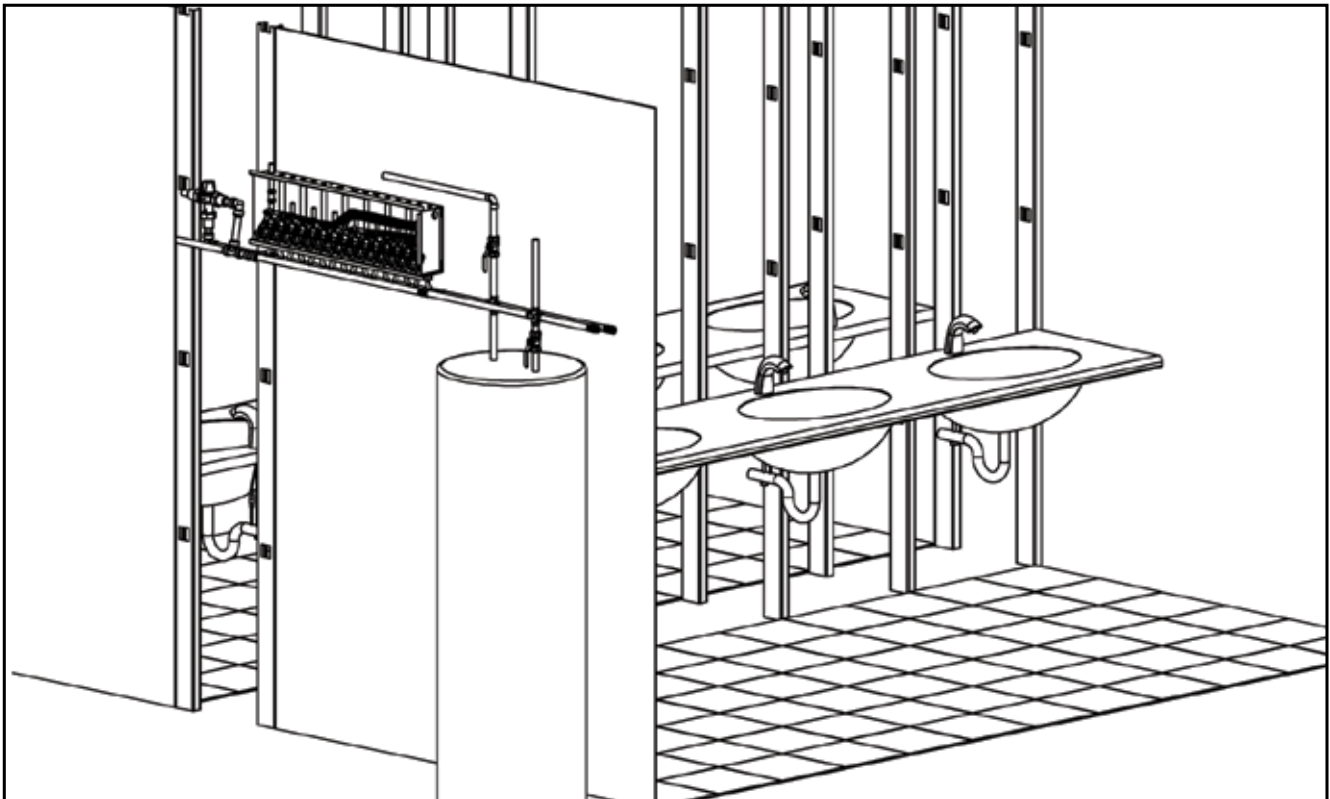
7. Go to step 2



Four 3/8" slots are provided on sides UltraPack for fastener placement.

B. Wall mounted- for mounting UltraPack onto a wall.

1. If this is a premiere series with 1070 valve- go to step 2 and assemble 1070 first.
2. Find flat level area of the wall for mounting. System can be mounted in any direction.
3. Ensure the wall mounting holes line up with framing system so that fasteners are fastened through wall surface and into framing (do not fasten to wall without sufficient backing. System cannot be fastened to wall board only).
4. Go to Step 2



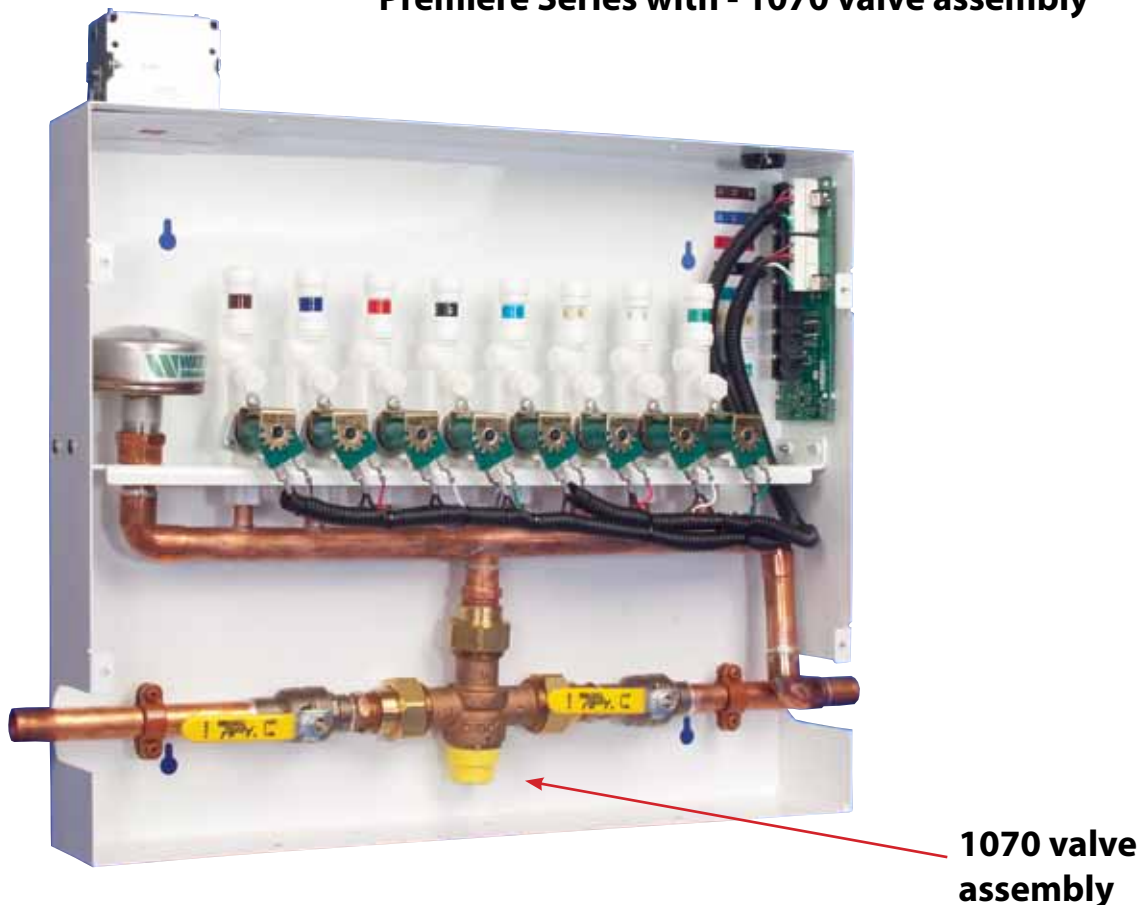
Four 3/8" slots are provided on back of UltraPack for fastener placement.

Step 2.

For Premiere Series only - 1070 assembly

1. Remove supply lines from packaging and slide through pipe holders leaving enough room for 1070 valve
2. Attach 1070 valve to the upper manifold and hand tighten compression nut
3. Inspect 1070 on supply ports and ensure screen filters are installed
4. Attach and hand tighten each supply line to the 1070 and hand tighten
5. Using two wrenches hold 1070 secure and tighten upper manifold compression nut to seal connection
6. Using two wrenches hold 1070 secure and tighten both supply line compression nuts to seal connection.
7. Tighten pipe holder caps to secure both supply lines

Premiere Series with - 1070 valve assembly



Step 3.

Connect supply lines to plumbing system

1. Purge both hot and cold lines to remove any debris prior to attaching to UltraPack
2. Place a rag on the supply lines inside the cabinet to ensure heat dissipation if soldering
3. Connect supply lines to plumbing system- Do not turn water on.

Step 4.

Connecting the faucet supply and cables

1. Remove data cables from packaging and note the number assigned to cable
2. Starting with the lowest number data cable; run one end through data cable port on UltraPack. Do not attach cable to control board until step 6
3. Insert the first faucet supply pipe through appropriate knock out hole done in step 1 and insert into push fitting on supply valve. Ensure it is fully push into push fitting.
4. Run supply pipe and data cable to the first faucet location.
5. Repeat above steps for each faucet.
6. Go to step 5

Step 5.

Installing Faucets

1. The use of stops is not needed at every faucet. Check with the local plumbing code to see where it is required.
2. Place faucet mounting bracket, supply line, and data cable through pre-drilled hole in countertop.
3. Attach mounting plate and center nut to underside of faucet. Tighten it to the countertop.
4. Attach supply line to ½" IPS connector, or to plumbing stop.
5. Connect the previously run data cord to the faucet connector.
6. Ensure that the data connector cords are all attached.



Step 6.

Water Supply to UltraPack

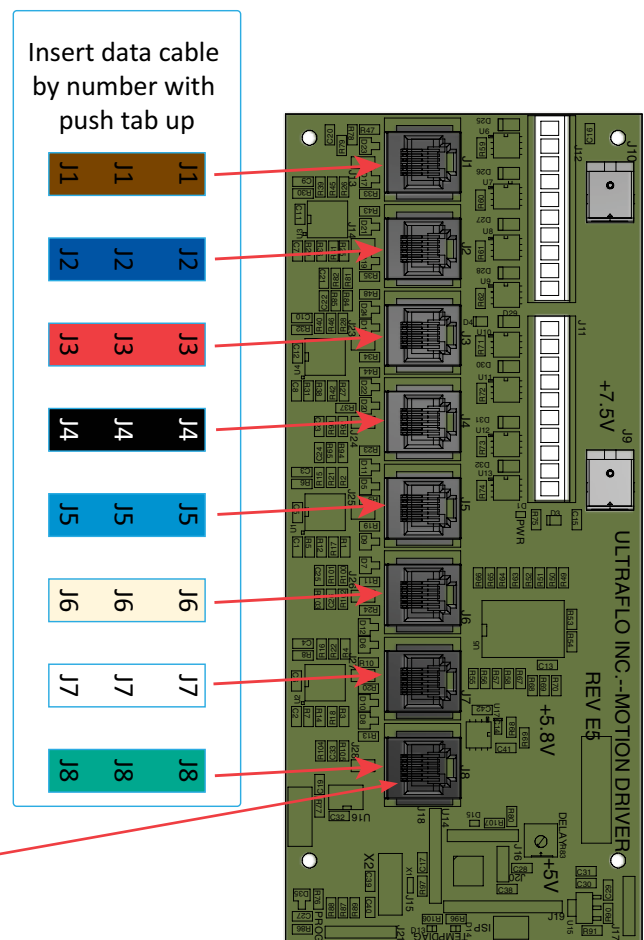
1. The UltraPack is leak-tested at the factory;
Note: Small leaks may appear during assembly or construction.
2. Double check all plumbing connections for tightness.
3. Open cold side of water supply to the UltraPack first. Water will run through the system briefly, but should stop after 2 seconds.
4. Check thoroughly for any leaks in UltraPack. If leaks appear, tighten supply lines to see if leaking stops.
5. Open hot water supply to UltraPack and check for leaks like previous step
6. If you hear water running through system, locate which valve is running and turn water off. **STOP!** go to trouble shooting page to resolve before next step.
7. If there are no leaks or water running through system go to next step.

Step 7.

Connecting data cables

1. Run data cable #1 through the cable access hole on UltraPack.
2. Note the cable number and install it into the correct data port.
3. Repeat above steps for all subsequent cables.

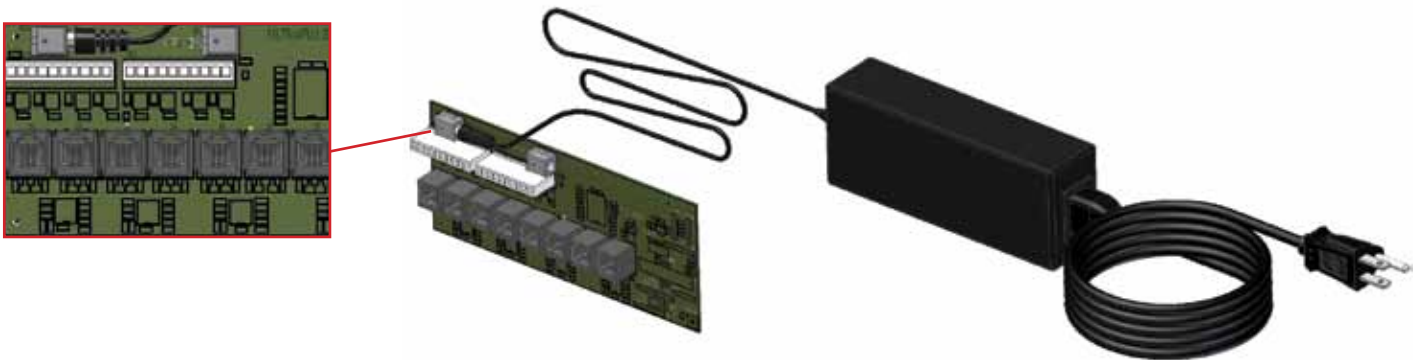
Note the cable number and install it into the correct data port.



Step 8.

Connect Power

1. Run the round end of the AC adaptor (included) through the cable access hole.
2. Connect Power- Only Class 2 Power Supplies can be used.
Please Contact UltraFlo if power adaptor A8017-E is missing.
3. If there are more than 4 faucets, use the second supplied AC adaptor connecting it to the second power port.
4. Plug in the adaptor (s) and check to be sure the power light is glowing on the adaptor.
5. It's normal for the system to cycle 1-2 times.



Step 9.

Testing Faucets

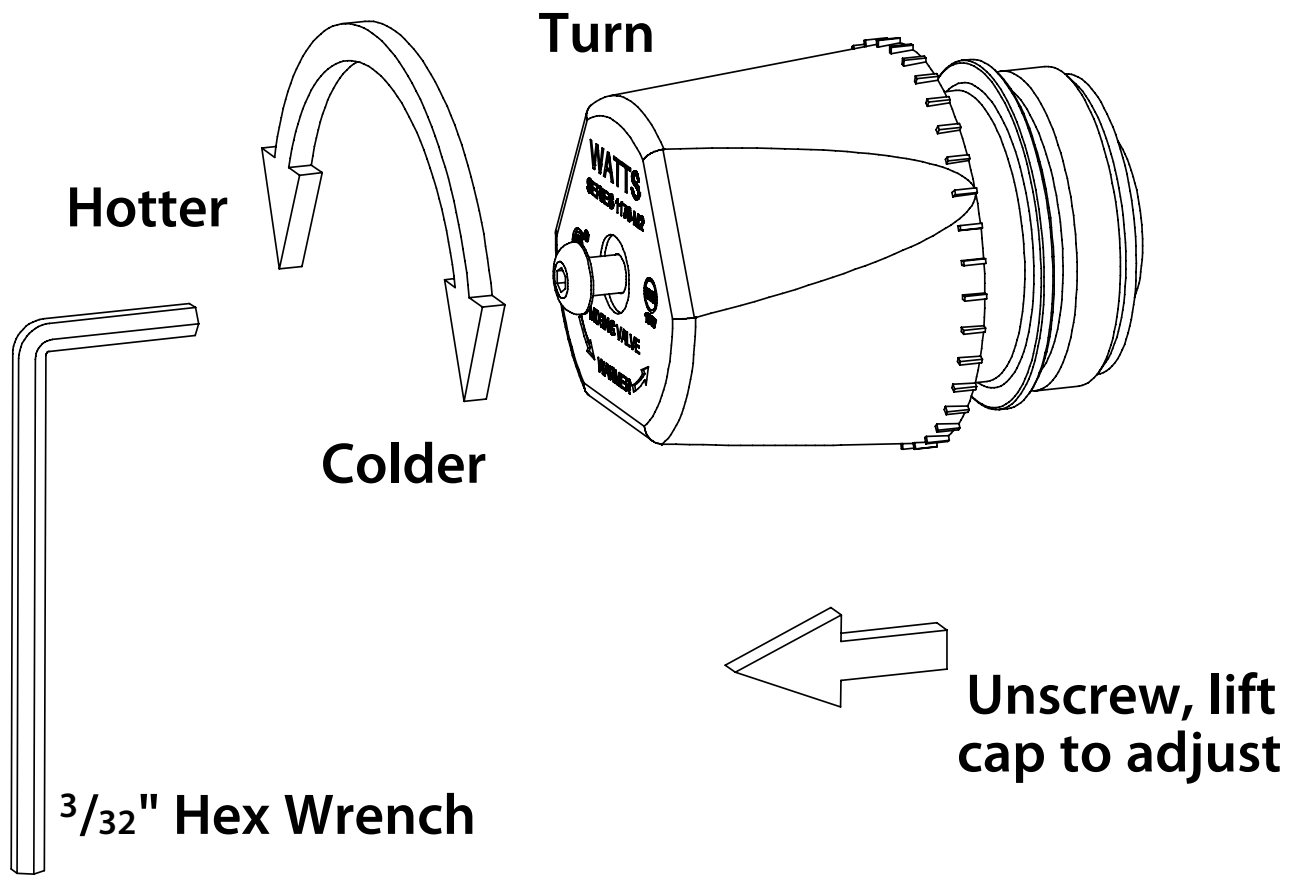
1. Check each faucet for any leaks - remember water is not pressurized until the faucet is on. All the pressure is stopped at UltraPack.
2. Place hand in front of sensor to be sure it is functioning properly.
3. If sensor is not working, check the data cables under faucet for connection and at UltraPack for connection. See trouble shooting section.

Step 10.

Temperature Adjustment

1. Let the water flow for at least two minutes to allow supply temperature to stabilize.
2. Calibrate the mixed water outlet temperature by placing a thermometer in the mixed water stream.
3. To adjust the setting of the valve, loosen locking cap screw with hex wrench, see drawing below. Cap must be lifted 1/4" to adjust temperature. To increase the temperature, turn counterclockwise. To decrease temperature turn clockwise.
4. Lower handle and tighten screw.
5. Check outlet temperature.

NOTE: It is recommended that shutoff valve(s) be installed on the inlet(s) to facilitate service of the LFMMV-M1 valve.



Step 11.
Final Check Secure Cover



Step 12.

Adjusting the Sensor Range

Sensor ranges can be adjusted if faucets are reacting too much or too little to motion. Each faucet can be programmed separately for different ranges.

How to Reprogram Range of Sensor.

1. Locate the data cable that is connected to the faucet and data adaptor.
2. Remove data cable from connector carefully and wait 15 seconds.
3. Plug data cable back into connector.
4. The faucet will flash lights 2x and might cycle two times.
5. Right after the cycle or flash, place you hand as close or far from the sensor as you want the range to be.
6. Wait until the faucet signal one last flash and then remove hand.



The New Range is Registered.



© Can Stock Photo Inc. / dvarg



Ultraflo Systems LLC

1776 Mentor Ave.

Cincinnati, Ohio 45212

800-749-4468

www.goultraflo.com