

PRODUCT DESCRIPTION

- Single Hole Centerset
- Chrome Finish
- Brass Body with Lead free waterways
- Electronic Sensor Operation
- 18" braided stainless steel 3/8" supply line included
- Vandal proof aerators

OPERATION

- Adjustable Electronic Range
- Must be used with UltraFlo System
- Class 2 UL Listed power source

FLOW

- 1.0 standard ULTRS - 819-10
- 0.5 GPM ULTRS - 819-05
- .35 GPM ULTRS - 819-35

PERFORMANCE SPECIFICATION

- Rated Operating Pressure: 20-125 PSI
- Rated Operating Temperature: 40-140°F

CODES & STANDARDS

- Meets ASME A112.18.1/CSA B125.1
- ADA Compliant
- LEED Compliant

MODEL NUMBER VARIATIONS:

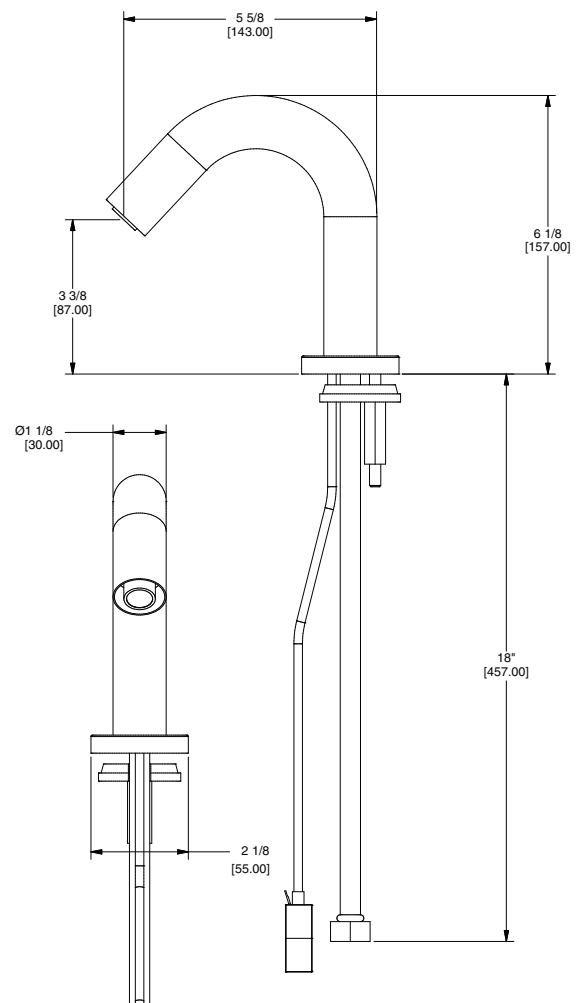
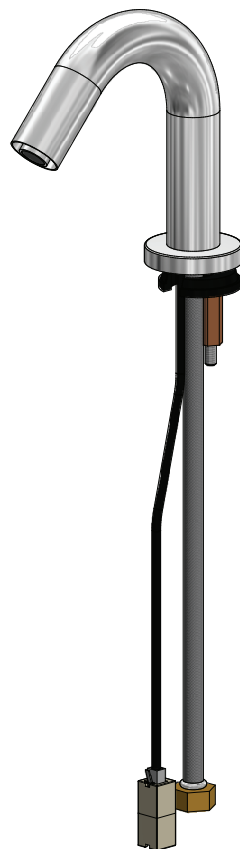
- ULTRS-819-10
- ULTRS-819-05
- ULTRS-819-35

LAMINAR OPTION

- ULTRS-819-10L
- ULTRS-819-05L
- ULTRS-819-35L

WARRANTY

- Limited Lifetime Faucet Warranty
- 1 Year Limited Electronics and Warranty



Project / Customer Name: _____

Approval: _____

Date: _____

1776 Mentor Avenue | Cincinnati, Oh. 45212

www.goultraflo.com

800.749.4468

Rev. 8/2016