

PRODUCT DESCRIPTION

- Single Hole Centerset
- Chrome Finish
- Brass Body with Lead free waterways
- Electronic Sensor Operation
- 18" braided stainless steel ½" supply line included

OPERATION

- Adjustable Electronic Range
- Must be used with UltraPack System
- AC UL Listed power source
- Battery backup power optional

FLOW

- 2.0 standard
- 1.0 GPM ULTRS-818-10
- 0.5 GPM ULTRS- 818-05

PERFORMANCE SPECIFICATION

- Rated Operating Pressure: 20-125 PSI
- Rated Operating Temperature: 40-140°F

CODES & STANDARDS

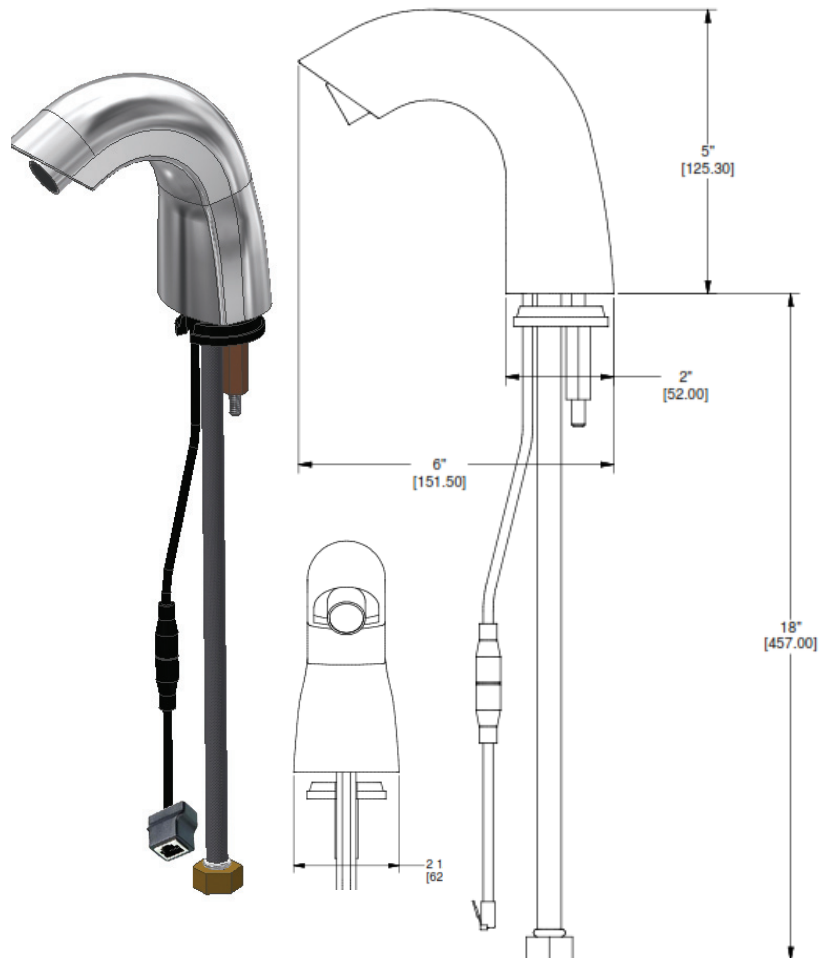
- Meets ASME A112.18.1/CSA B125.1
- ADA Compliant
- LEED Compliant

MODEL NUMBER VARIATIONS:

- ULTRS-818
- ULTRS-818-10
- ULTRS-818-05

WARRANTY

- Limited Lifetime Faucet Warranty
- 1 Year Limited Electronics and Warranty



Project / Customer Name: _____

Approval: _____

Date: _____

1776 Mentor Avenue | Cincinnati, Oh. 45212

www.goultraflo.com

800.749.4468

Rev. 1/16